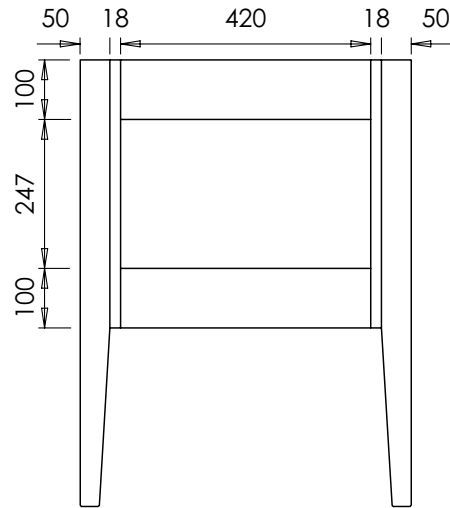
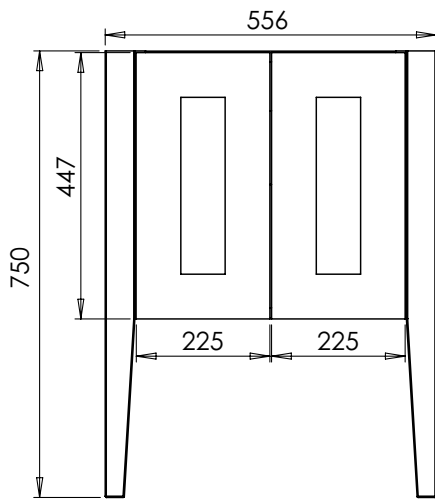
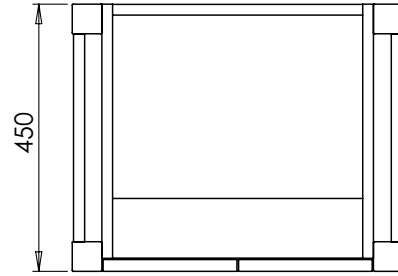
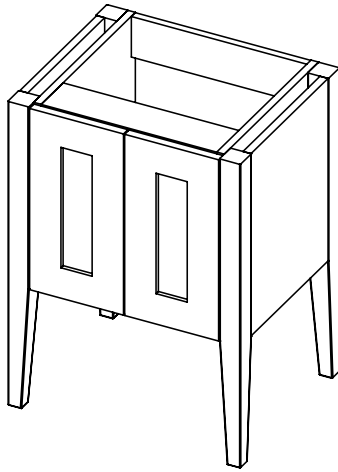


BURBIDGE & SON

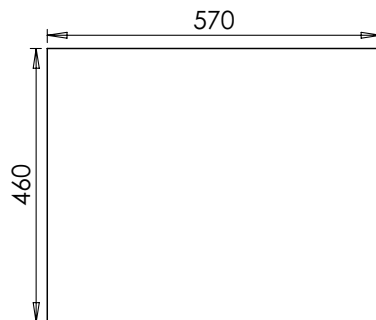
EST. 1867

**BATHROOM FURNITURE
MAKERS™**

BARTON SPECIFICATION GUIDE



650-XX-WT5746/25
Worktop for use with sit on basin



RANGE

Barton (635)

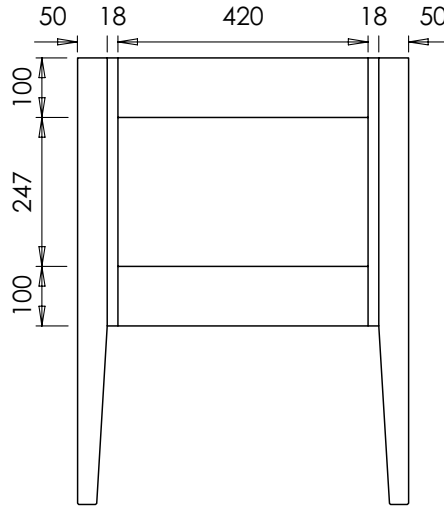
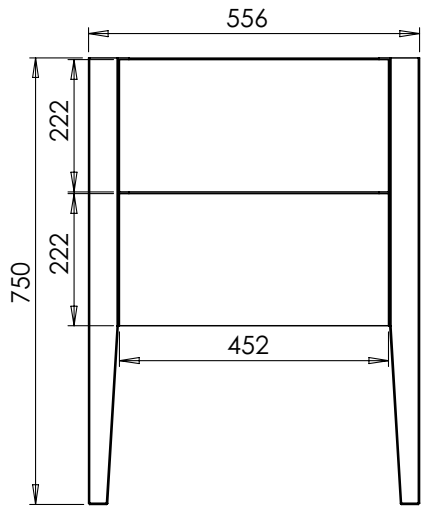
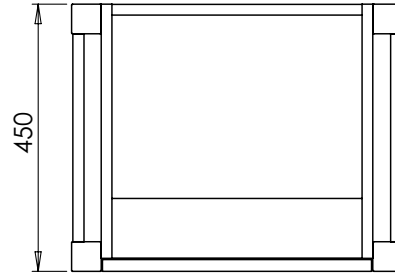
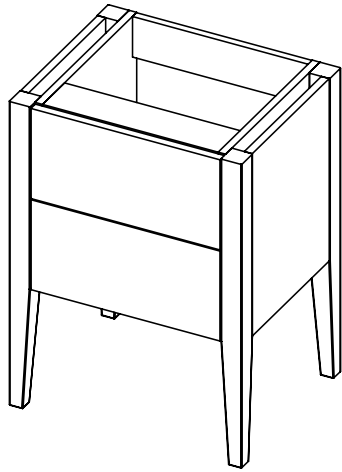
All dimensions are in millimetres

DESCRIPTION

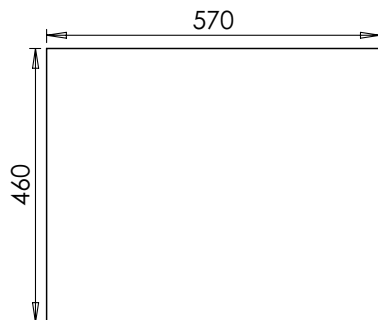
Washstand 2 door unit (WS55DO)

DATE

April 2026



650-XX-WT5746/25
Worktop for use with sit on basin



RANGE

Barton (635)

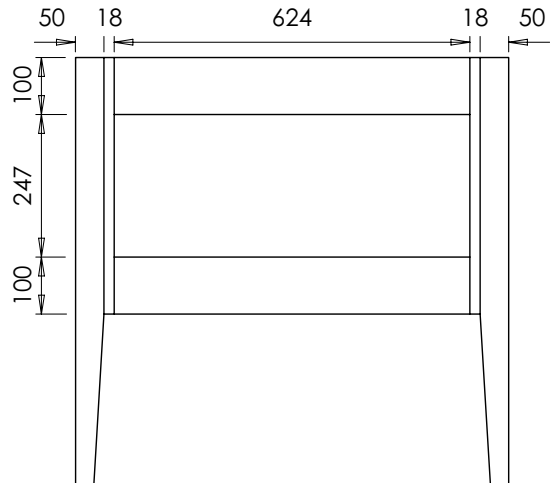
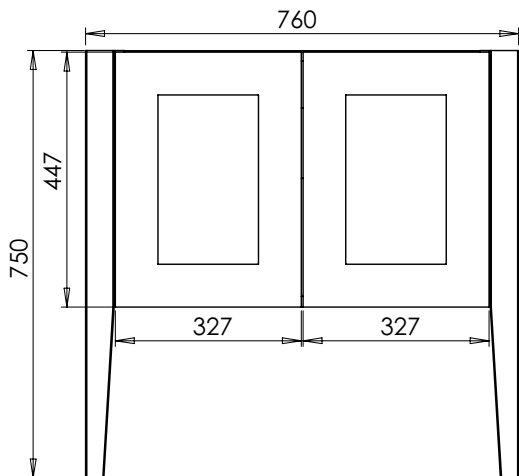
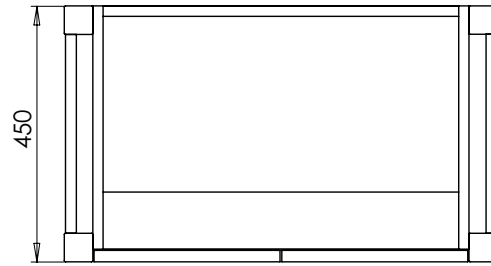
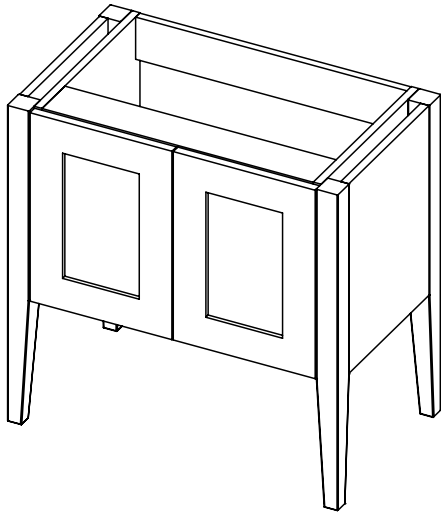
All dimensions are in millimetres

DESCRIPTION

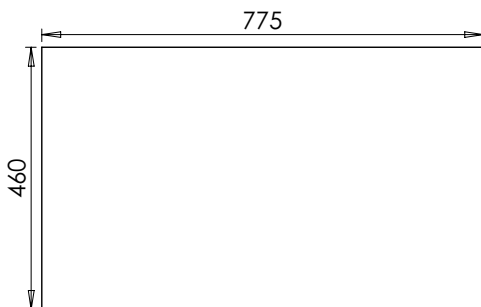
Washstand 2 drawer unit (WS55D2)

DATE

April 2026



650-XX-WT7746/25
Worktop for use with sit on basin



RANGE

Barton (635)

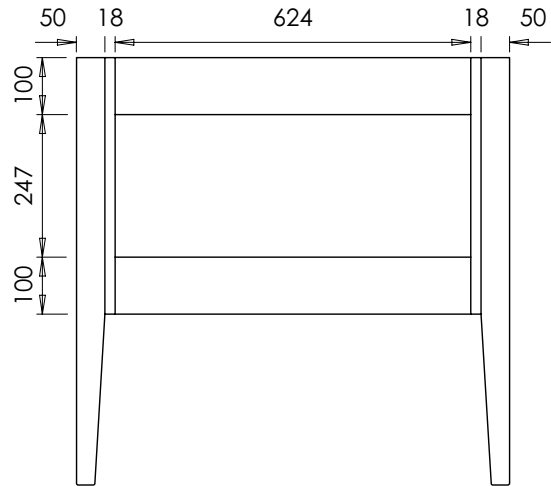
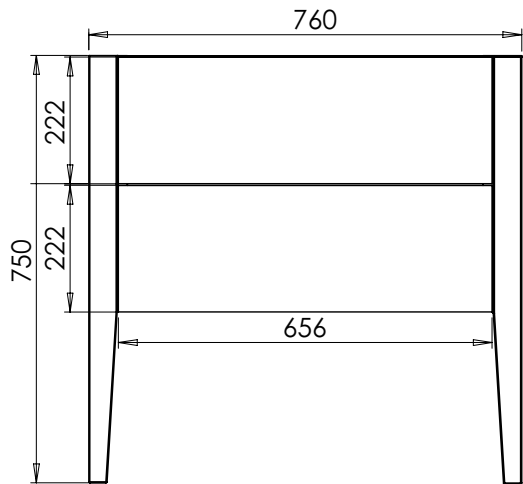
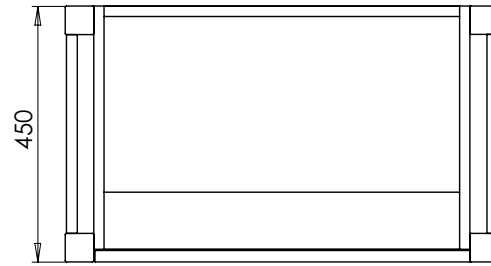
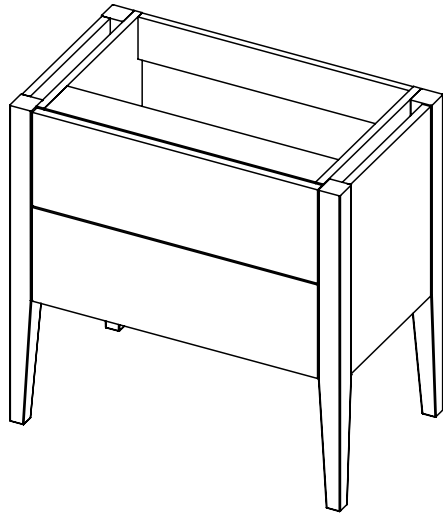
All dimensions are in millimetres

DESCRIPTION

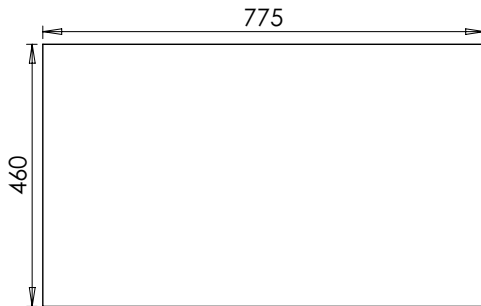
Washstand 2 door unit (WS76DO)

DATE

April 2026



650-XX-WT7746/25
Worktop for use with sit on basin



RANGE

Barton (635)

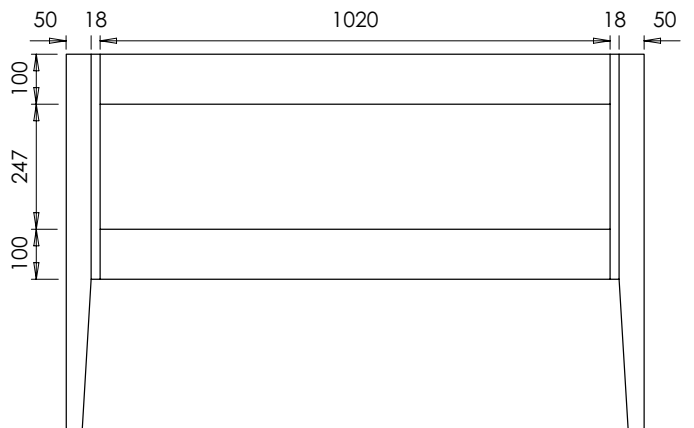
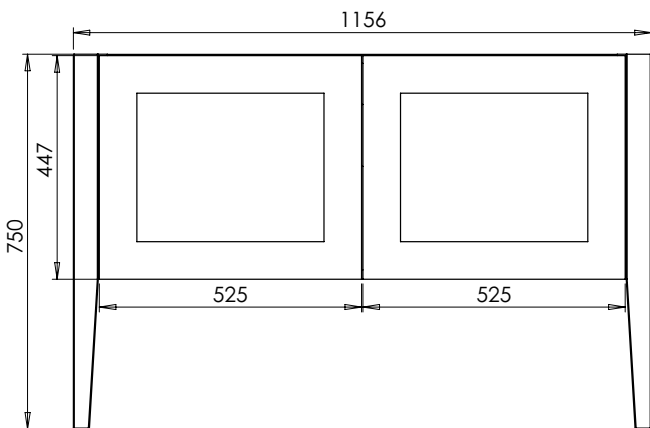
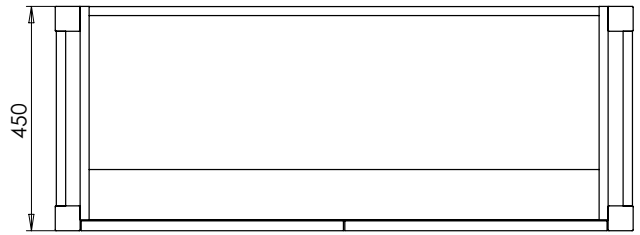
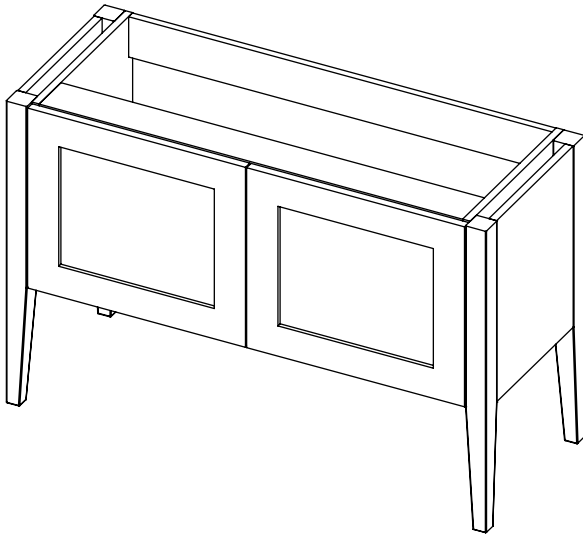
All dimensions are in millimetres

DESCRIPTION

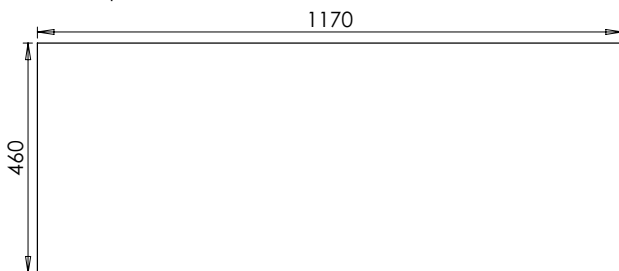
Washstand 2 drawer unit (WS76D2)

DATE

April 2026



650-XX-WT11746/25
Worktop for use with sit on basin



RANGE

Barton (635)

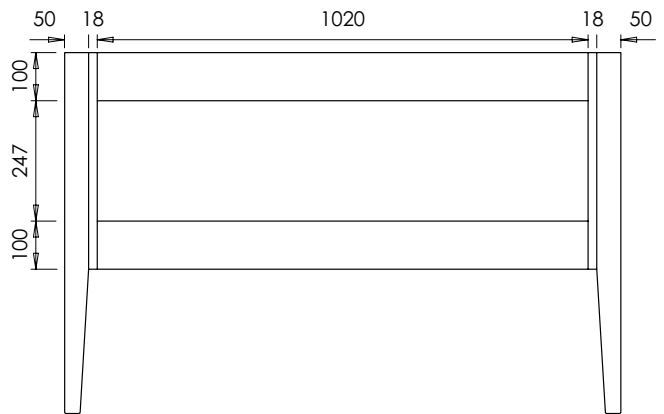
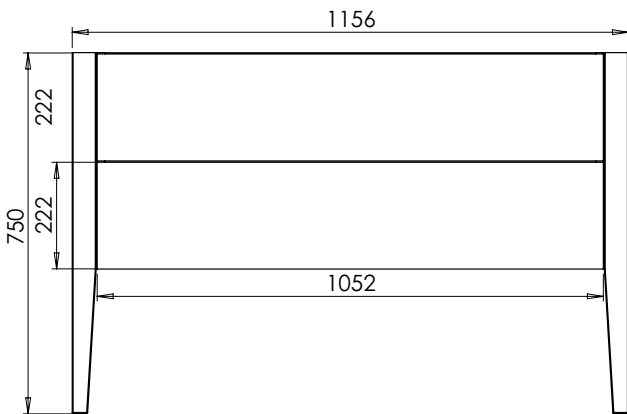
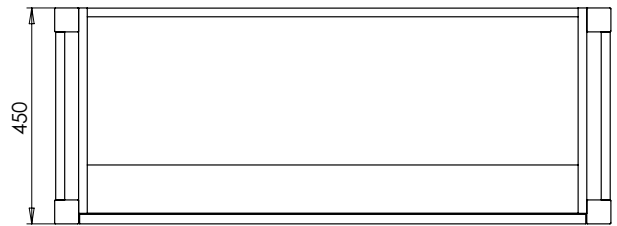
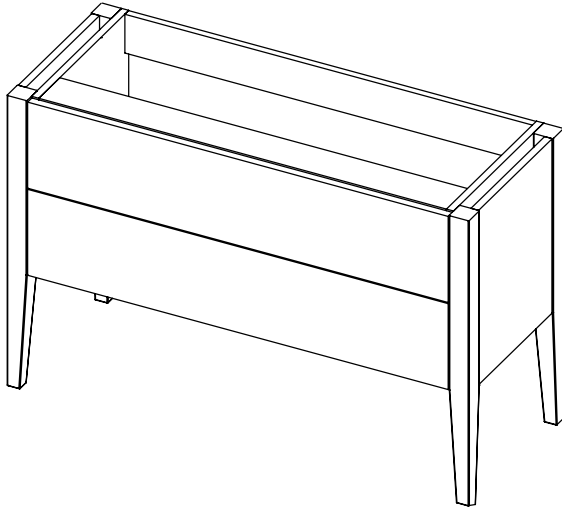
All dimensions are in millimetres

DESCRIPTION

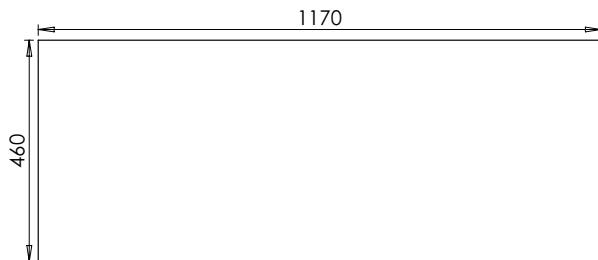
Washstand 2 door unit (WS115DO)

DATE

April 2026



650-XX-WT11746/25
Worktop for use with sit on basin



RANGE

Barton (635)

All dimensions are in millimetres

DESCRIPTION

Washstand 2 drawer unit (WS115D2)

DATE

April 2026

E: sales@burbidgebathroommakers.co.uk
T: 024 7667 1600
W: burbidgebathroommakers.co.uk

Burnsall Road, Canley, Coventry,
West Midlands CV5 6BS